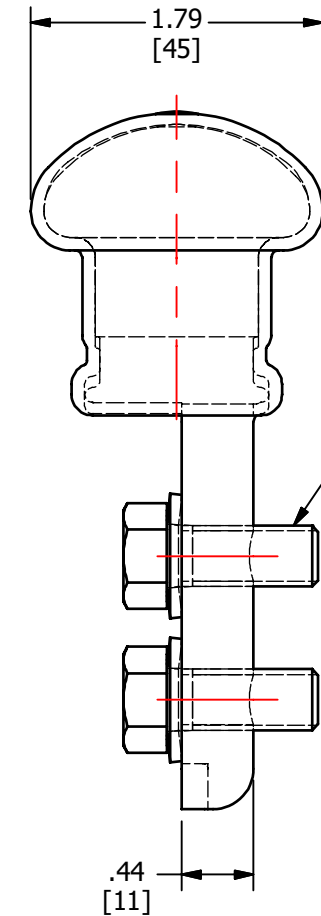
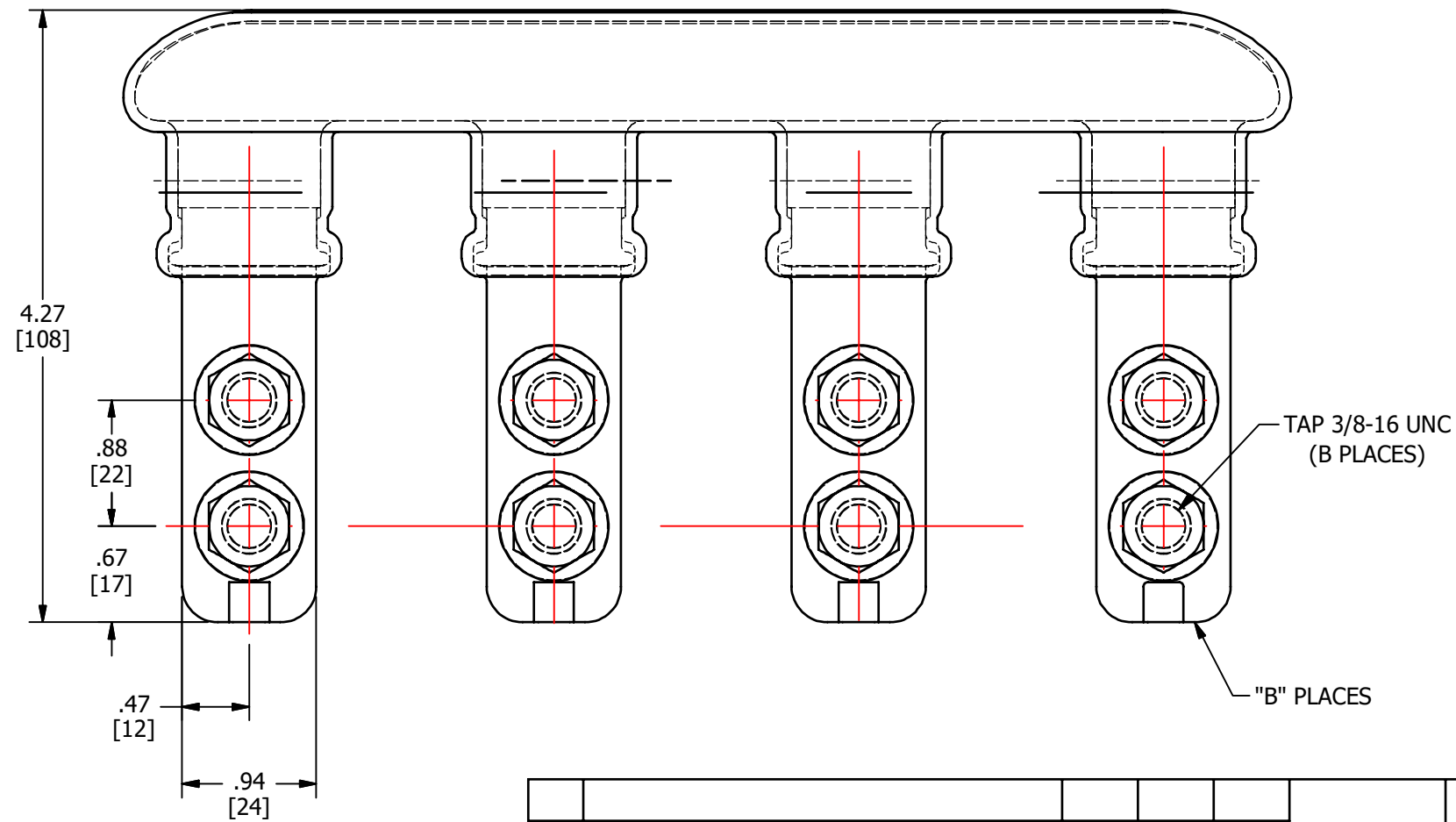
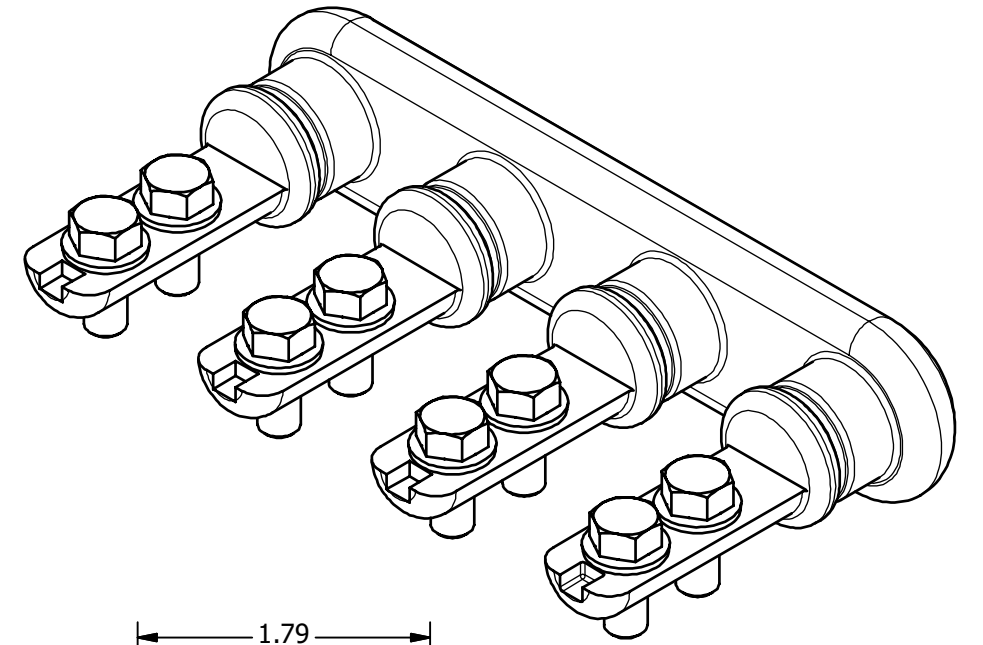
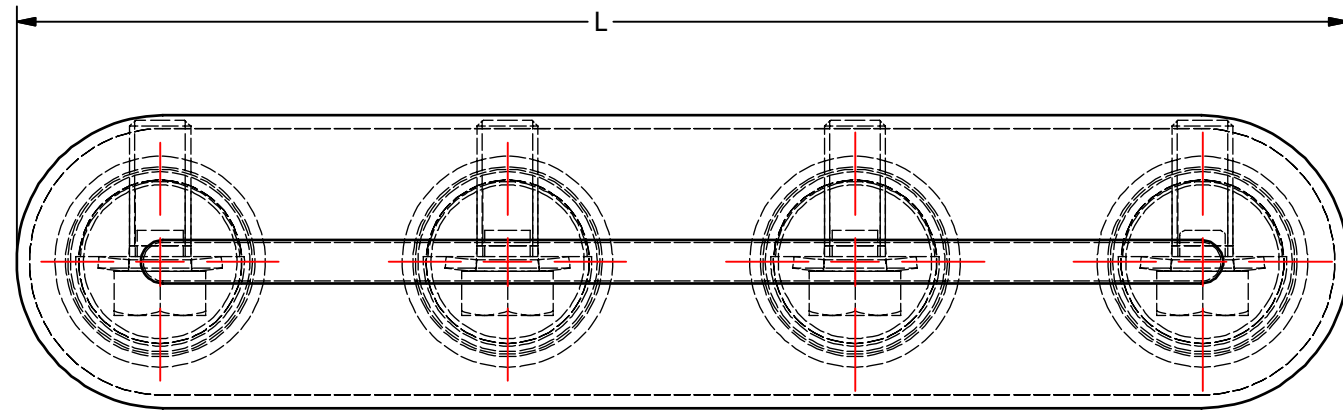


S.NO	CATALOG NUMBER	L	B
1	UC44	8 [203]	4
2	UC55	10.13 [257]	5
3	UC66	12.25 [311]	6
4	UC88	16.50 [419]	8



MATERIAL: ALUMINUM
VOLTAGE RATING: 600 V

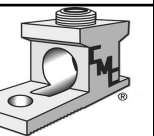
REV.	DESCRIPTION	ECN	DATE	INIT.
A	NEW DRAWING CREATED		05-29-19	TS

TO ORDER CMC PRODUCTS CALL 1-513-860-4455	DRAWN BY: TS 05-29-19	NAME OF PART: SUBMERSIBLE PEDESTAL CONNECTOR ASSEMBLY	CAT. NO.: SEE TABLE
FOR PRODUCT INFO: http://www.cmcclugs.com	CHECKED BY:	DWG NO: U55700062-S (CHARTED)	B
DRAWING NOT TO SCALE		SHEET NO: 1 OF 1	

THIS INFORMATION IS PROPRIETARY TO CONNECTOR MFG. CO. AND IS NOT TO BE DISCLOSED OUTSIDE OF CONNECTOR MFG. CO. WITHOUT A CONFIDENTIALITY AGREEMENT



CONNECTOR MANUFACTURING CO.



HAMILTON, OHIO